


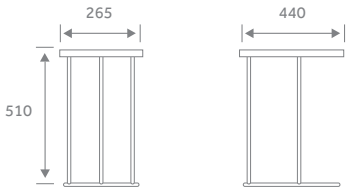

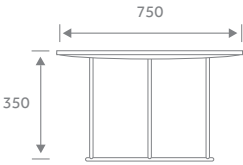


*Soft Seating Specifications*

---

2014

# Touch

		Dimensions (mm)	Table Top Options
 <p><b>TOUCH/LAP</b> Free Standing Chrome Frame Laptop Table</p>		<p>W White BK Black</p>	
 <p><b>TOUCH/COFFEE</b> Touch Coffee Table Chrome Frame</p>		<p>W White O Oak B Beech M Maple WAL Walnut</p>	

## Specifications & Options

 3.5 kg  
TOUCH/LAP/W  
*other weights on application*

- Designed as part of the Touch family of products
- Laptop table laminated HPL
- Coffee table 18mm HPL with chamfered edge

 Min 100% recyclable